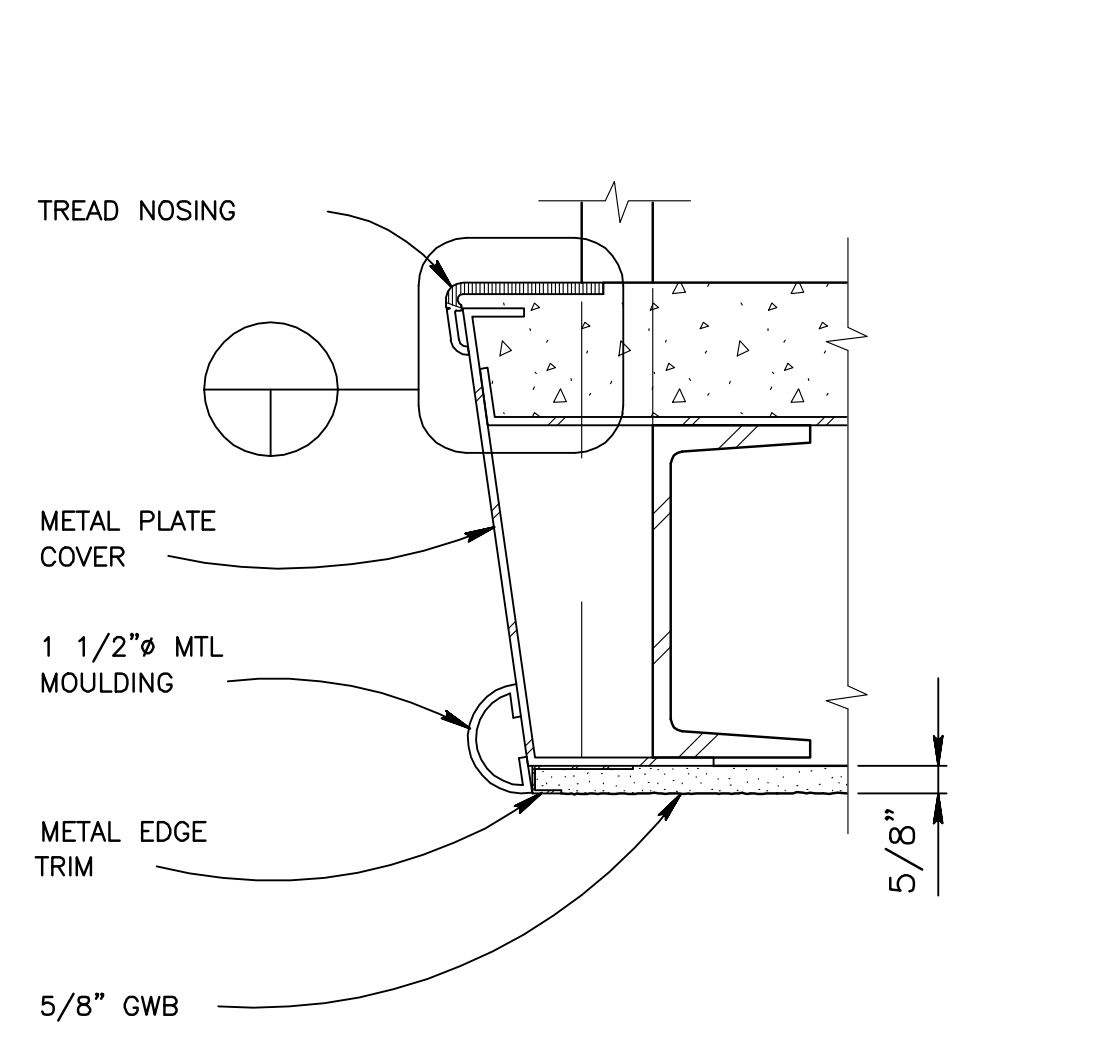
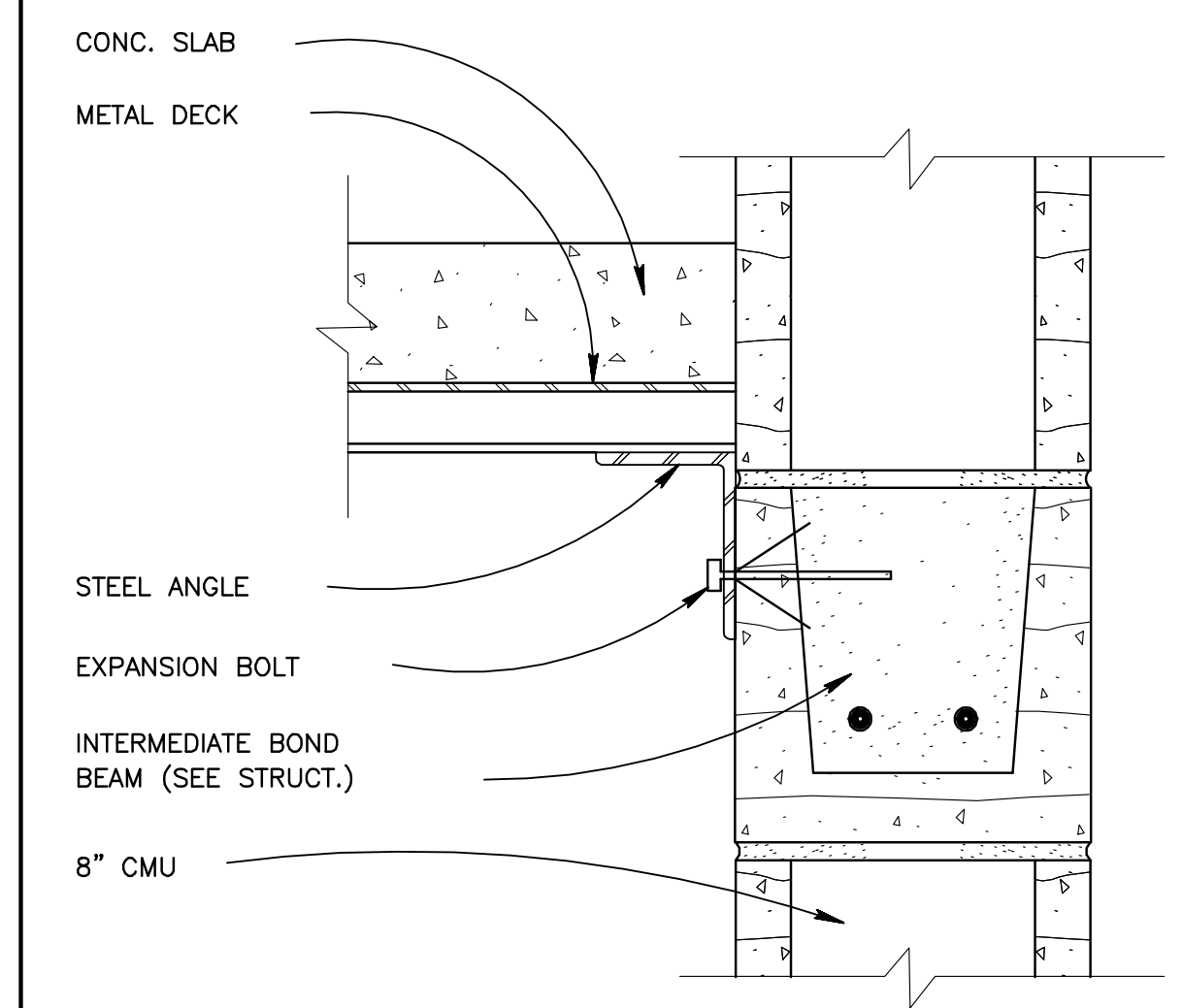


**LANDING DETAIL** Scale: 3"=1'-0" File: 1

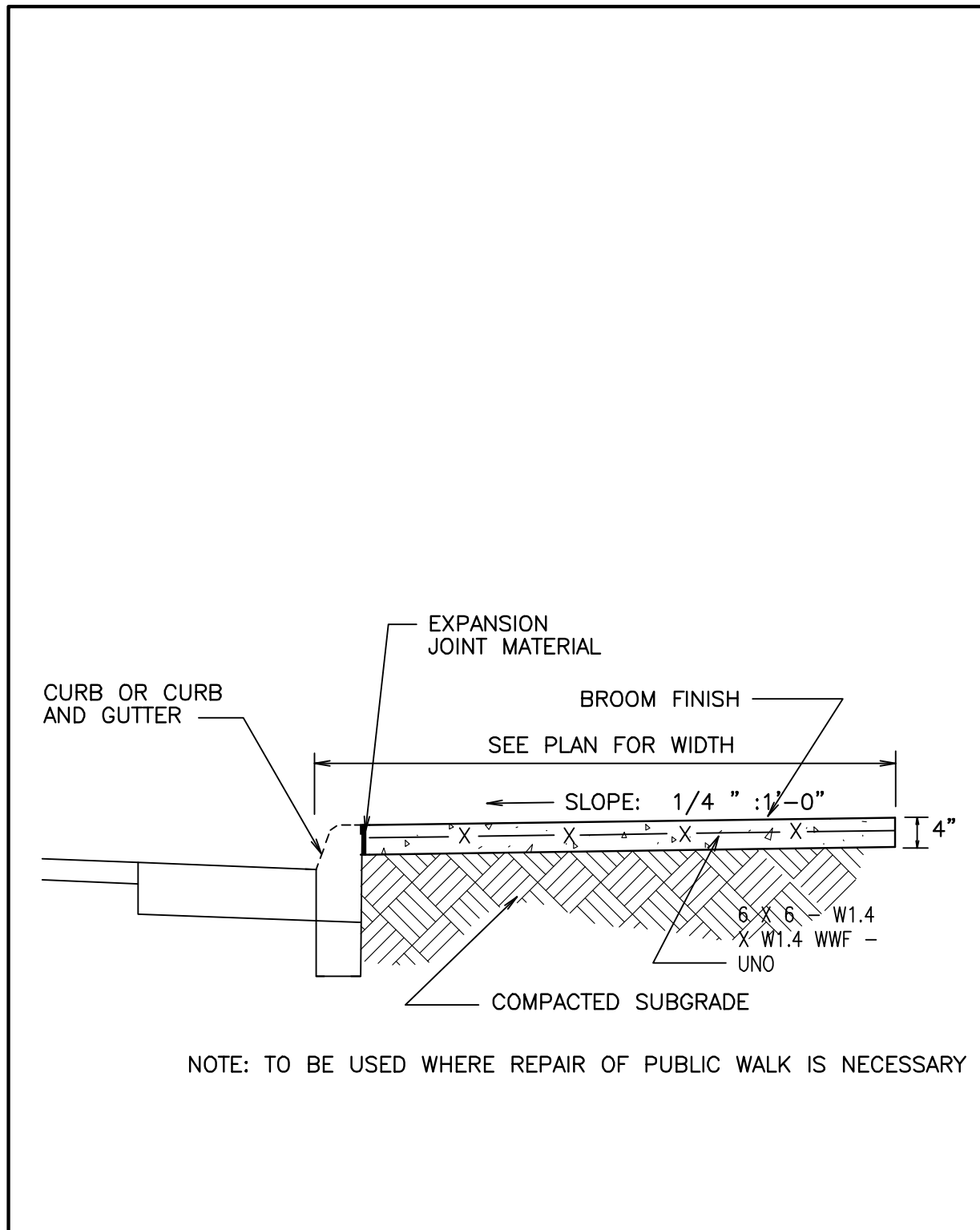
**TOP STAIR DETAIL** Scale: 3"=1'-0" File: 2



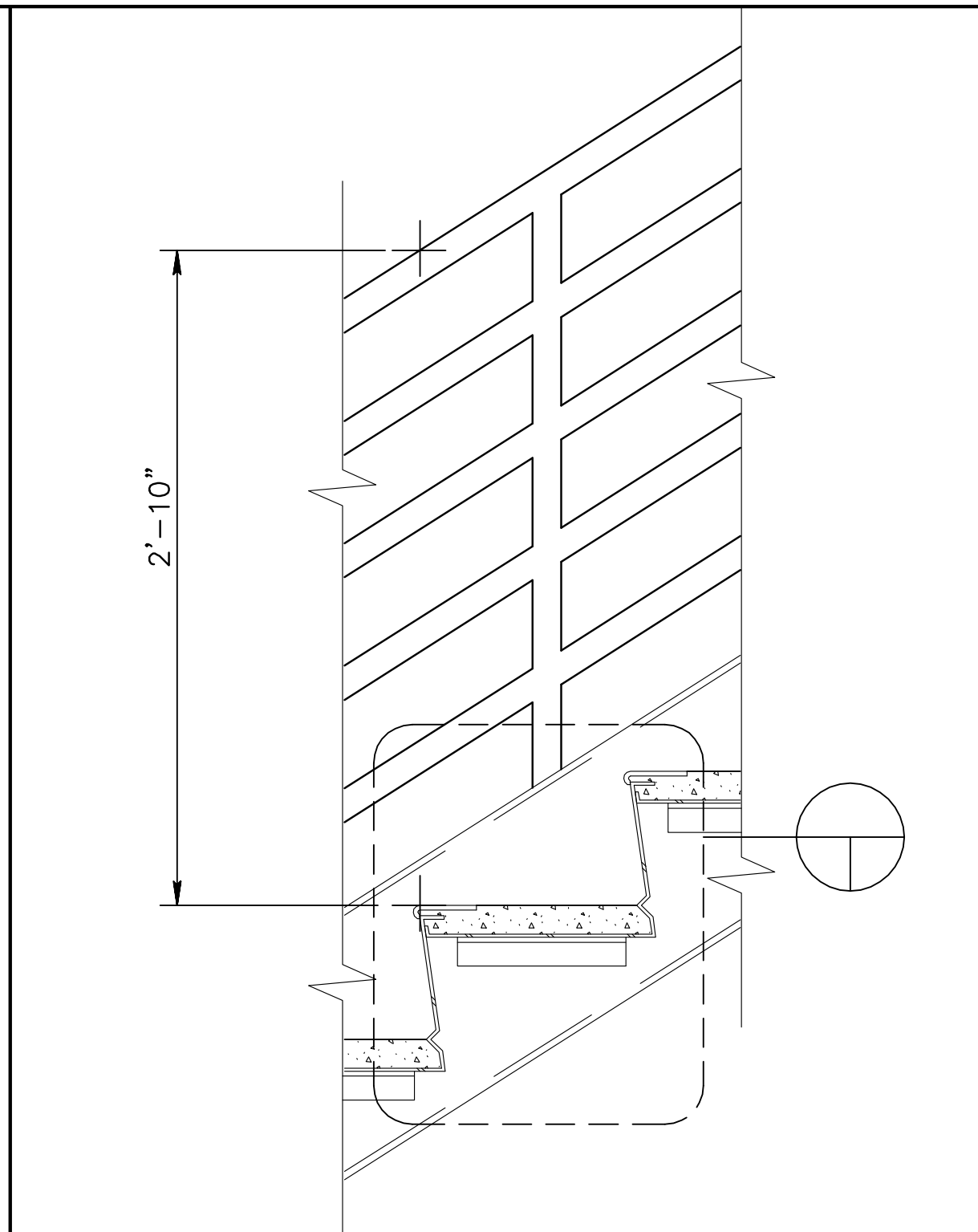
**OPT LANDING DETAIL** Scale: 3"=1'-0" File: 5



**LANDING BOND BEAM** Scale: 3"=1'-0" File: 6



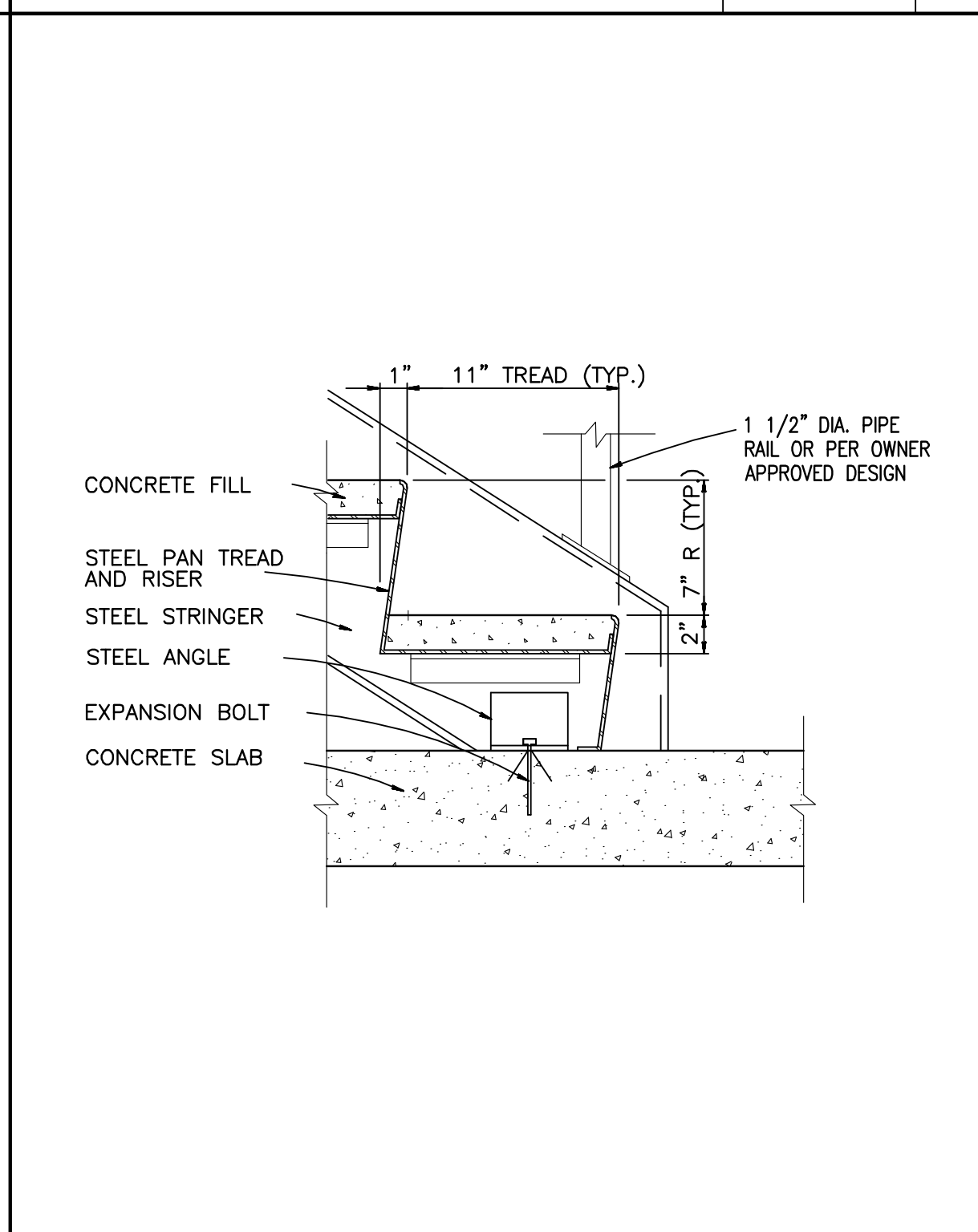
**CONCRETE SIDEWALK** Scale: NTS File: 3



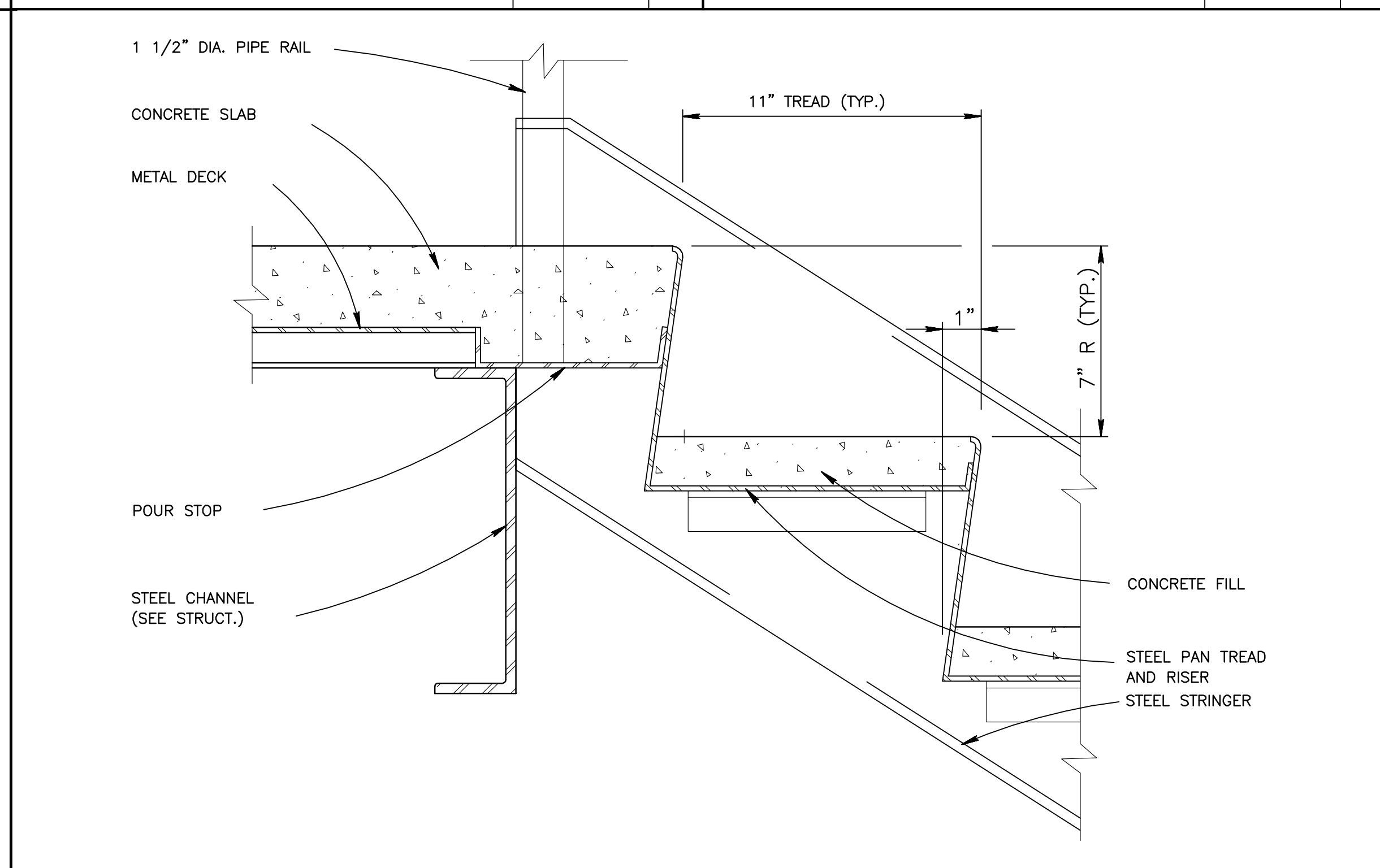
**RAILING DETAIL** Scale: 1 1/2"=1'-0" File: 4



**NOT USED** Scale: 1 1/2"=1'-0" File: 7



**STAIR BASE** Scale: 1 1/2"=1'-0" File: 8



**LANDING DETAIL** Scale: 3"=1'-0" File: 9