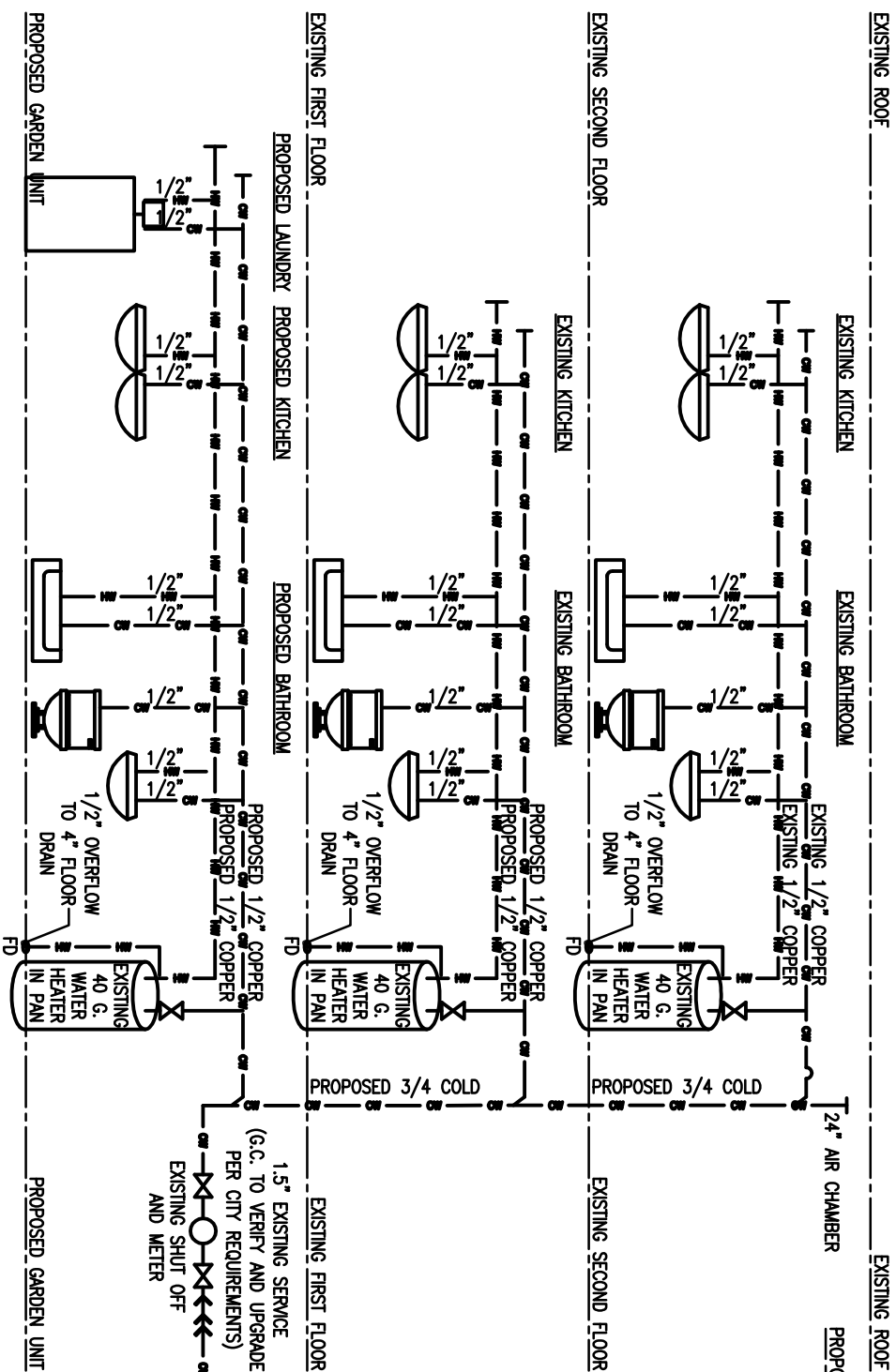


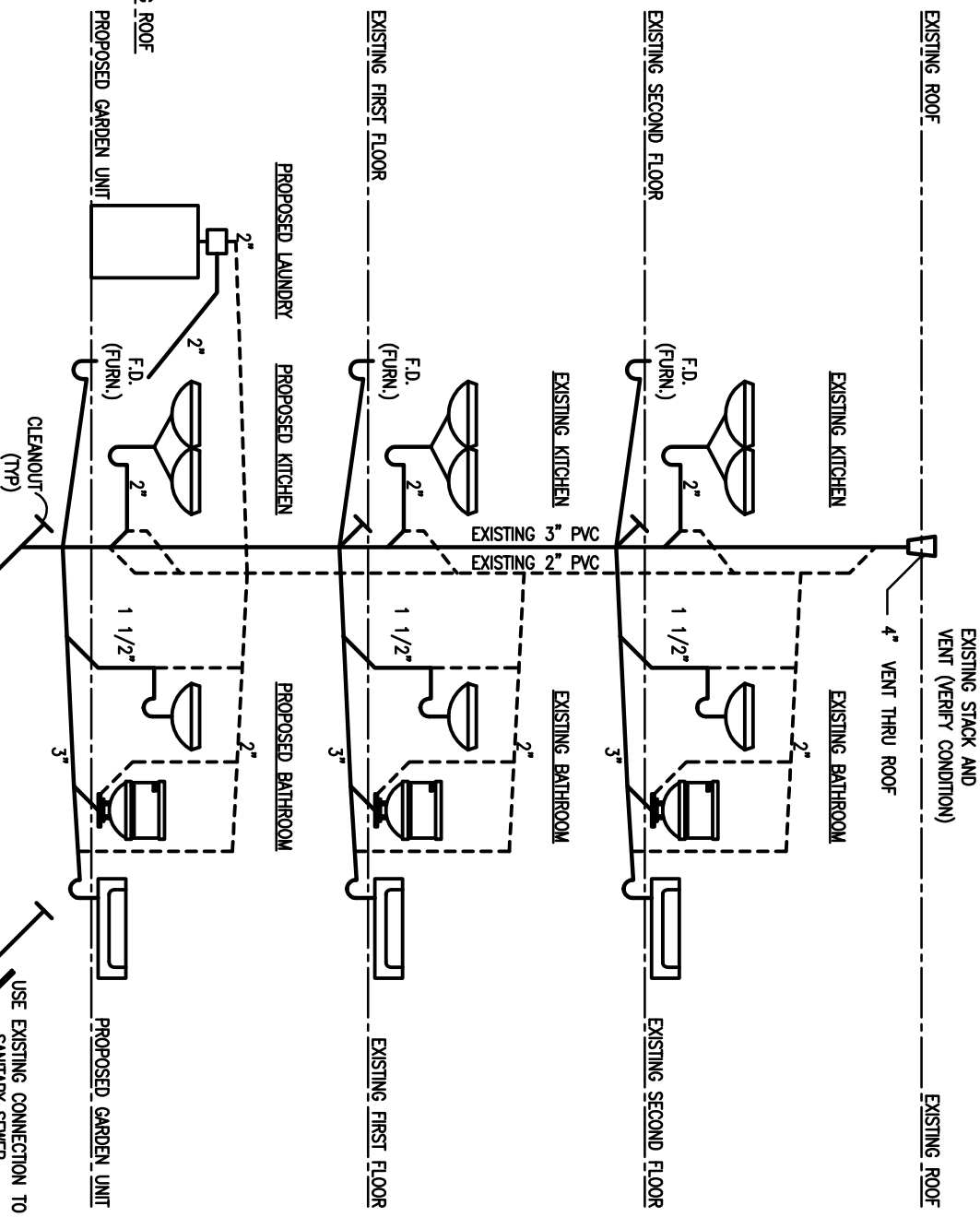
TYP. GAS SUPPLY DIAGRAM

SCALE: NTS



SUPPLY RISER DIAGRAM

SCALE: NTS



WASTE RISER DIAGRAM

SCALE: NTS



419-C Harrison Street
Oak Park, IL 60304
tel: (708) 948-7332
fax: (708) 575-3004
@: us@kbpartnership.com

PROJECT NAME:
PROPOSED GARDEN UNIT

PROJECT ADDRESS:
1613 S. Central Park Av.
Chicago, IL 60623

SHEET TITLE:
PLUMBING PLAN

REVISIONS:

ISSUED FOR PERMIT:
5-07-2009

This drawing is the sole property of KBP, Inc., and is protected under US copyright law and the Architectural Works Protection Act of 1990. The copy of this drawing and/or distribution to unauthorized personnel or construction of the structure depicted herein without express written consent of KBP, Inc., would constitute infringement of KBP, Inc. The recipient of this drawing acknowledges and agrees that the ownership of the drawing and all other right, title, and interest therein, including without limitation, all rights under US Copyright and other intellectual property law, are retained by KBP, Inc.

P.1