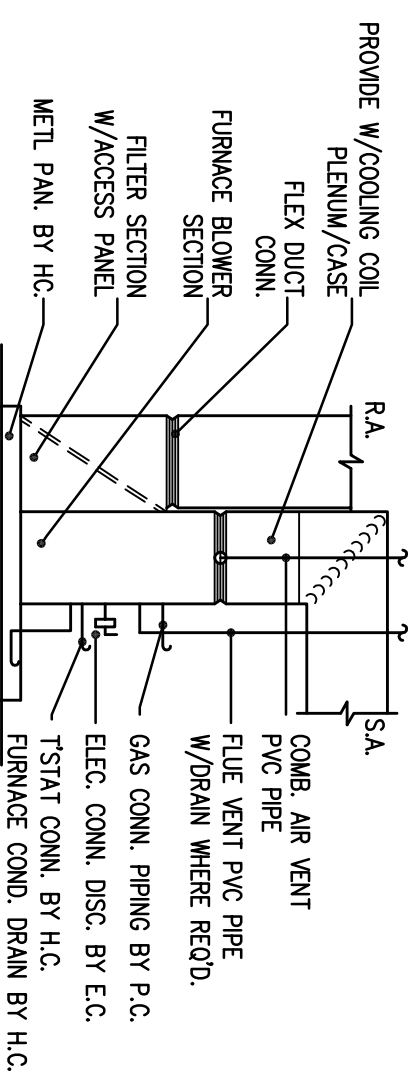


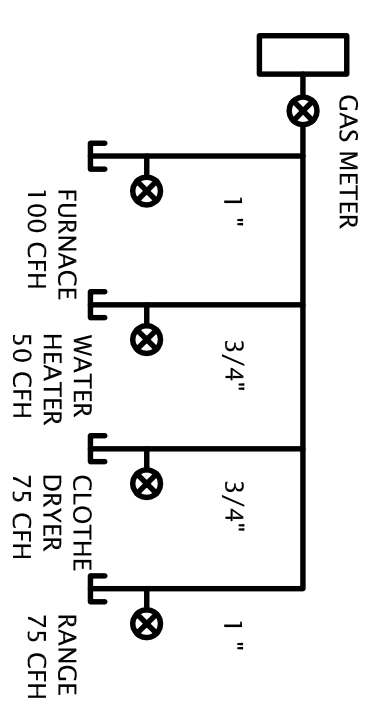
MECHANICAL NOTES:

1. THE CONTRACTOR SHALL FURNISH ALL LABOR, EQUIPMENT AND MATERIAL FOR A COMPLETE INSTALLATION OF THE REQUIRED WORK IN ACCORDANCE WITH THE MANUFACTURERS RECOMMENDATIONS AND THE AUTHORITY HAVING JURISDICTION.
2. VENTING OF ALL GAS FIRED APPLANCES MUST CONFORM TO INTERNATIONAL FUEL GAS CODE (IFGC).
3. FINAL DUCT SIZE AND FURNACE/AC CAPACITY TO BE DETERMINED BY MECHANICAL CONTRACTOR AND TO COMPLY WITH LOCAL CODES AND ORDINANCES – IT IS THE INSTALLER/CONTRACTOR'S JOB TO PERFORM THE CORRECT SIZING CALCULATION FOR THE BUILDING. THE CALCULATING PROCEDURE SHALL FOLLOW MANUAL J OR OTHER APPROVED STANDARD.
4. THE CONTRACTOR SHALL VISIT THE SITE AND BE FAMILIAR WITH THE EXISTING JOB CONDITIONS PRIOR TO SUBMITTING THE BID.
5. COORDINATE ALL WORK SHOWN HERE WITH ARCHITECTURAL, ELECTRICAL, AND PLUMBING DRAWINGS.
6. PROVIDE AN IN-SIGHT SWITCHED FURNACE DISCONNECT.
7. PROVIDE AUXILIARY METAL PAN AND DRAIN WHERE REQUIRED.
8. ALL DUCTS IN UNHEATED SPACES TO HAVE A MIN R-5 INSULATION
9. EQUIPMENT EXPOSED TO NATURAL ELEMENTS SHALL BE WELDED OR SOLDERED AND SHALL RECEIVE ONE COAT OF PRIMER AND TWO COATS OF PAINT.
10. REGISTERS, DIFFUSERS, GRILLS, ETC, SHALL BE INSTALLED SO AS TO MATCH THE EXISTING EQUIPMENT, VERIFY WITH OWNER.
11. CONTRACTOR SHALL USE CAUTION IN REMOVING AND RELOCATING EQUIPMENT TO REMAIN OR BE RELOCATED. DAMAGE TO SUCH EQUIPMENT SHALL BE THE RESPONSIBILITY OF THE CONTRACTOR.
12. CONTROLS FOR THE COMPLETE INSTALLATION OF THE EQUIPMENT SHALL BE SUPPLIED BY THE HVAC CONTRACTOR AND CONNECTED BY THE ELECTRICAL CONTRACTOR.
13. ALL SHEET METAL DUCT WORK SHALL BE GALVANIZED AND CONSTRUCTED IN ACCORDANCE WITH "SMACNA" LOW PRESSURE STANDARDS.
14. HVAC CONTRACTOR SHALL BE RESPONSIBLE FOR THE TESTING AND BALANCE OF THE HVAC EQUIPMENT. DUCT CONNECTIONS TO DIFFUSERS MAY BE MADE WITH A FLEXIBLE DUCT SUCH THAT THE LENGTH OF THE FLEX DUCT DOES NOT EXCEED 6'-0".
16. NOISE GENERATED BY ANY HVAC EQUIPMENT SHALL NOT EXCEED 55 DB AT LOT LINE.
17. INSTALL ANY DUCT WORK AS CLOSE AS POSSIBLE TO STRUCTURAL STEEL.
18. ALL HVAC EQUIPMENT SHALL BE LEVEL AS TO ASSURE PROPER WORKING ORDER.
19. CONTRACTOR SHALL INSTALL ANY REQUIRED REFRIGERANT LINES IN ACCORDANCE WITH CITY CODE REQUIREMENTS – TYPE "K" COPPER.
20. CONTRACTOR SHALL INSURE THAT FLUES OF EXISTING AND/OR NEW CONSTRUCTION EXTEND A MINIMUM OF 6'-0" ABOVE THE ROOF LINE AND THAT ALL FRESH-AIR INTAKES ARE INSTALLED A MINIMUM OF 15'-0" AWAY FROM ANY EXHAUST OUTLET. SOIL STACKS AND O.A.I. TO BE MINIMUM 10'-0" ABOVE GRADE.
21. CONTRACTOR SHALL MAKE SURE THAT ALL EXPANSION VALVE DEVICES AND CONNECTIONS ARE REMOVED FROM THE AIRSTREAM ON NEW AND EXISTING EQUIPMENT.
22. NATURAL GAS PIPING SHALL BE SCHEDULED 40 STANDARD WEIGHT BLACK STEEL PIPE WITH STANDARD WEIGHT BLACK THREADED MALLEABLE IRON FITTINGS 2" OR SMALLER AND STANDARD WELDED FITTINGS 2 1/2" OR LARGER.
23. ALL EQUIPMENT CONNECTED TO NATURAL GAS PIPING SHALL BE HARD PIPED CONNECTIONS. PLUMBING CONTRACTOR SHALL BE RESPONSIBLE FOR FINAL CONNECTIONS TO ALL GAS BURNING APPLANCES AND SHALL IN CONJUNCTION WITH THE HVAC CONTRACTOR MAKE ALL REQUIRED TESTS AS TO ASSURE A PROPER AND SAFE INSTALLATION.
25. SHEET METAL DUCTS SHALL INCORPORATE LOCK TYPE DAMPERS FOR BALANCING.
26. THE HVAC AND PLUMBING CONTRACTOR SHALL COORDINATE WITH THE LOCAL UTILITIES FOR INCOMING SERVICE OF GAS, WATER, AND SEWAGE.
27. HVAC CONTRACTOR WILL GUARANTEE 70° F INDOOR AT -10° F OUTDOOR, AND 75° F AT 90° F OUTDOOR.
27. **BALANCING DAMPERS** OR OTHER MEANS OF SUPPLY AIR ADJUSTMENT SHALL BE PROVIDED IN THE BRANCH DUCTS OR AT EACH INDIVIDUAL DUCT REGISTER, GRILLE OR DIFFUSER



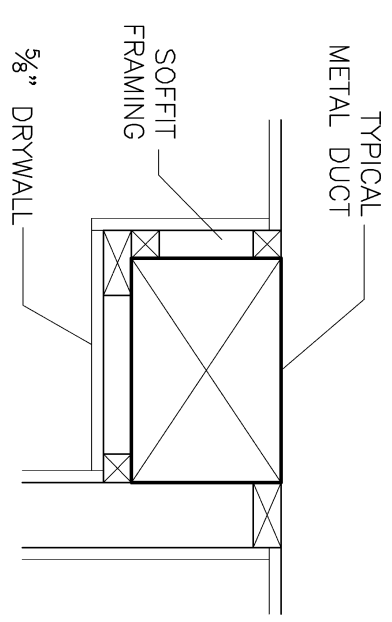
TYP. FURNACE DIAGRAM *

SCALE: NTS
*VERIFY IF NEW FURNACE CAN BE INSTALLED UPRIGHT IN ATTIC



TYP. GAS PIPING DIAGRAM

SCALE: NTS



SOFFIT DETAIL

SCALE: NTS



419-C Harrison Street
Oak Park, IL 60304
Tel: (708) 948-7332
Fax: (708) 575-3004
@: us@kbpartnership.com

PROJECT NAME:
PROPOSED GARDEN UNIT

PROJECT ADDRESS:
1613 S. Central Park Av.
Chicago, IL 60623

SHEET TITLE:
MECHANICAL NOTES
AND DETAILS

REVISIONS:
.....
.....
.....

ISSUED FOR PERMIT:
5-07-2009

This drawing is the sole property of KBP, Inc., and is protected under US copyright law and the Architectural Works Protection Act of 1990. The copy of this drawing and/or distribution to unauthorized personnel or construction of the structure depicted herein without express written consent of KBP, Inc., would constitute infringement of KBP, Inc. The recipient of this drawing acknowledges and agrees that the ownership of the drawing and all other right, title, and interest therein, including without limitation, all rights under US Copyright and other intellectual property law, are retained by KBP, Inc.
COPYRIGHT © 2009
ALL RIGHTS RESERVED

